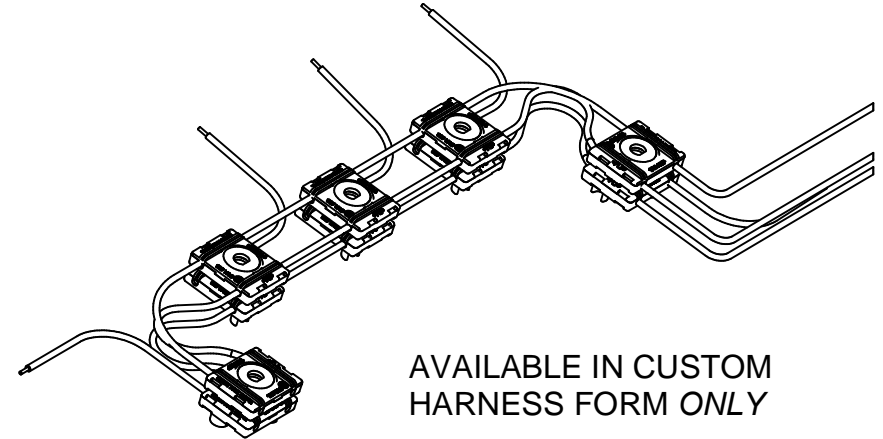
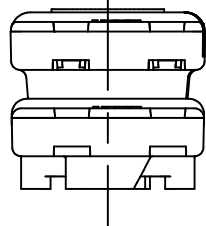
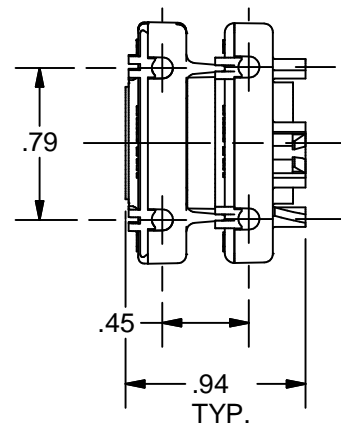
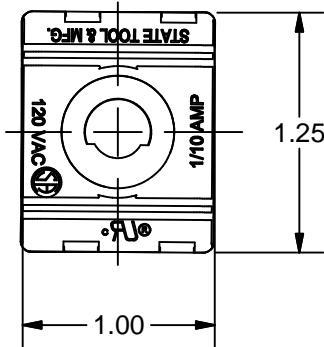
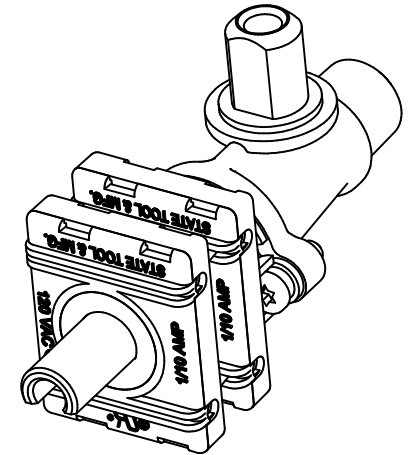
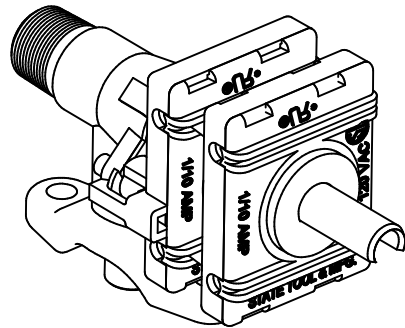




35000 Series Dual Switch combines a gas ignition switch with a secondary switch for indicator light, relay for fan, or other optional device.

Technical Data:

- 1) Switches are mounted on various gas valves.
- 2) Electrical Rating: .10 amp 120 VAC 60 Hz
- 3) Actuator Rotation: counter-clockwise
- 4) ON/OFF Rotation Range: Custom designed to match customer requirements
- 5) Wire: 20 ga. stranded; Insulation displacement type
- 6) UL Recognized: Special Use Switch Standard UL1054, File No. 85183, UL Guide No. WOYR2
- 7) CSA Approved: File No. LR-41020-29, CSA Guide No. 6241-10
- 8) Life Cycle Test: 30,000 cycles min. ON/OFF (UL requires 6,000 cycles min.)



AVAILABLE IN CUSTOM
HARNESS FORM ONLY