



State Tool & Manufacturing

T: 269-927-3153 • F: 269-927-4230 • www.statetool.com

1538 / 1540 Series Convenience Outlet

Technical Data:

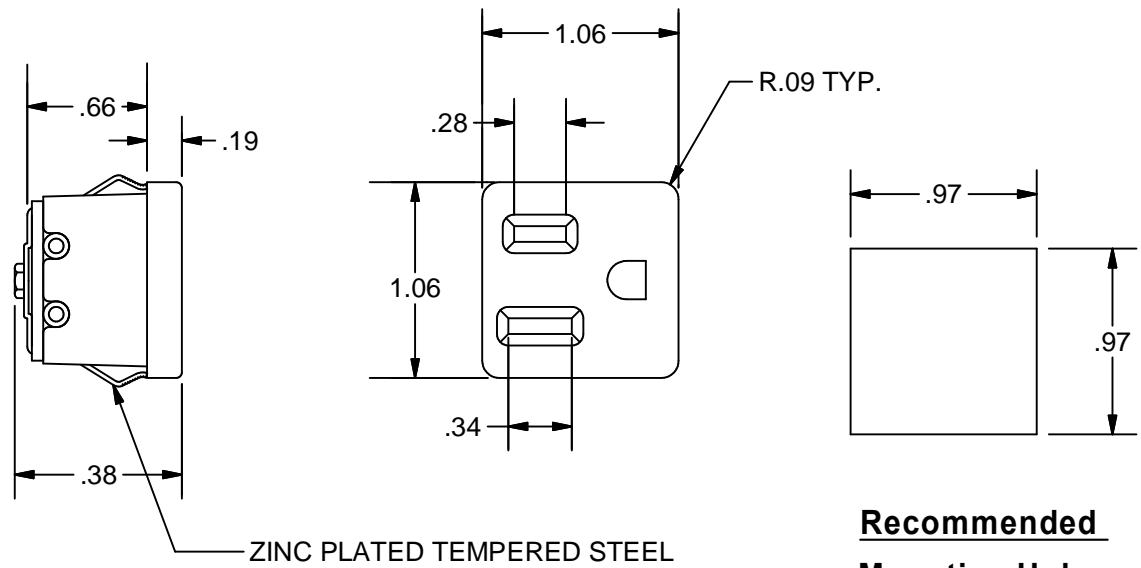
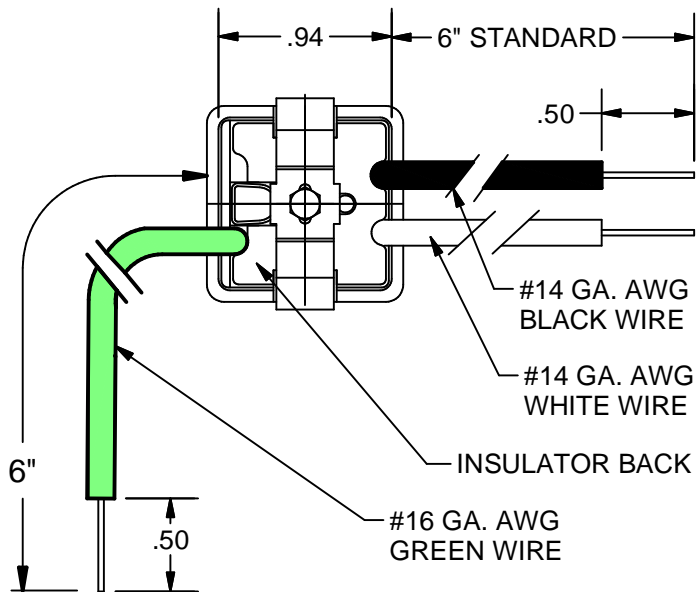
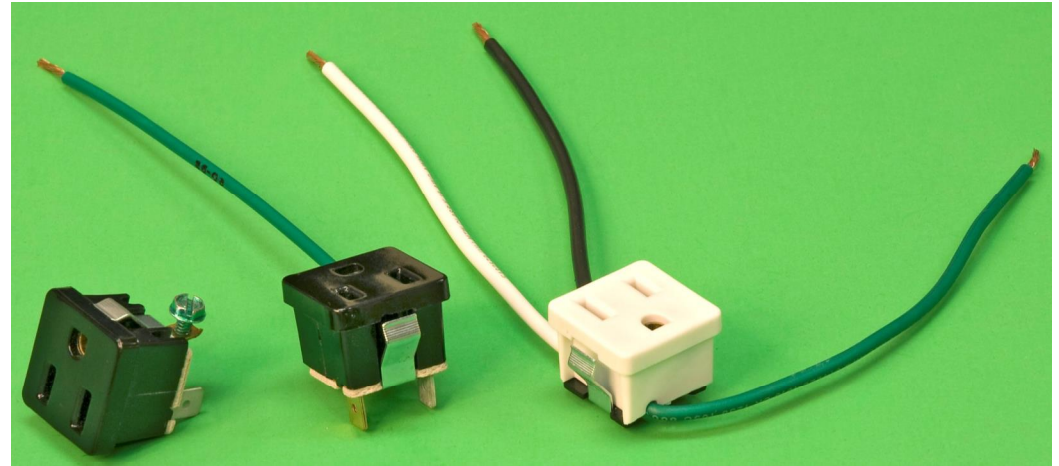
1. Rated at 15 A, 125 V.
2. UL Recognized file #E-151096.

1538 Black body with three 6" wire leads.

1540 White body with three 6" wire leads..

1538/1540-M With male terminals and ground wire.

1538/1540-MS With male terminals and ground screw.



**Recommended
Mounting Hole:**

.025"-.070" Thick Material